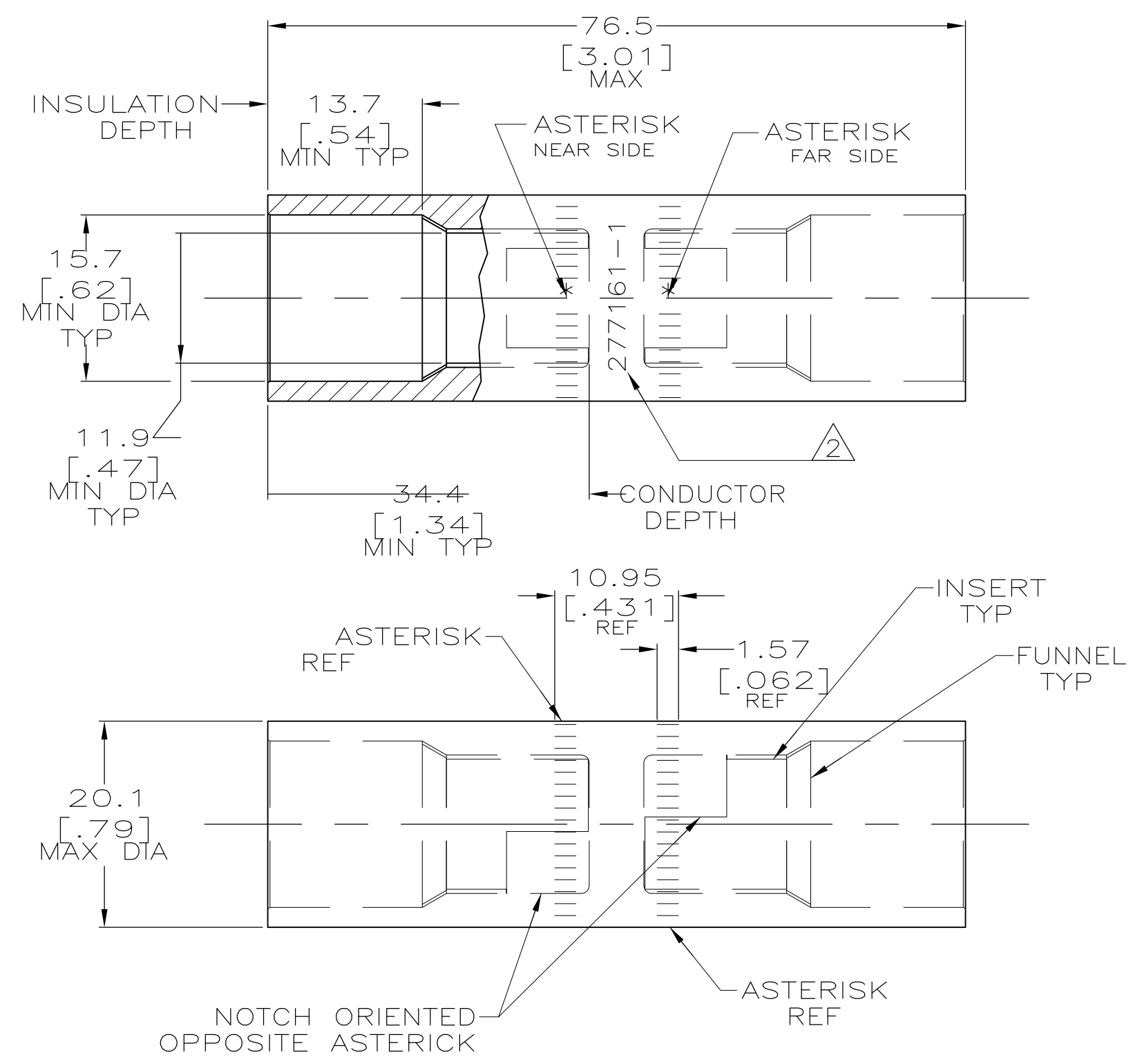


THIS DRAWING IS UNPUBLISHED. RELEASED FOR PUBLICATION  
 © COPYRIGHT BY TYCO ELECTRONICS CORPORATION. ALL RIGHTS RESERVED.

LOC	DIST	REVISIONS					
G	86	P	LTR	DESCRIPTION	DATE	DWN	APVD
			K	REV PER ECR 08-004875	26FEB08	JR	MS



1 WIRE INSULATION DIA: 12.70 - 13.97  
 [.500] [.550]  
 2 STAMP " 277161-1 AMP 2/0 AL-1/0 CU"  
 APPROX AS SHOWN.

SPLICE: COPPER ASTM B-187 ANNEALED TIN PL 0.00381 [.000150] MIN THK PER ASTM B545	
INSERT & FUNNEL: BRASS ASTM B36 NICKEL PL SAE AMS QQ-N-290A, DATED JULY 2000, 0.00254 [.000100] MIN THK	277161-1
MATERIAL & FINISH	PART NUMBER

THIS DRAWING IS A CONTROLLED DOCUMENT.		DWN DK SCHRUM 18NOV96	Tyco Electronics Corporation Harrisburg, PA 17105-3608	
DIMENSIONS: mm[INCHES]		CHK WJ VOCKROTH 19NOV96	NAME	
TOLERANCES UNLESS OTHERWISE SPECIFIED:		APVD JL MECKLEY 19NOV96	WIRE SPLICE, BUTT, SEALED COPALUM, 71.3mm2 [2/0] ALUMINUM 53.9mm2 [1/0] COPPER	
0 PLC ± -		PRODUCT SPEC	SIZE	CAGE CODE
1 PLC ± -		108-11011	DRAWING NO	
2 PLC ± -		APPLICATION SPEC	RESTRICTED TO	
3 PLC ± -		114-2134	-	
4 PLC ± -		WEIGHT 107.7 ±5 GRAMS	A3 00779 C-277161	
ANGLES ± -		CUSTOMER DRAWING		
FINISH		SCALE 2:1 SHEET 1 OF 1 REV K		
SEE TABLE				